

**PS1045L**

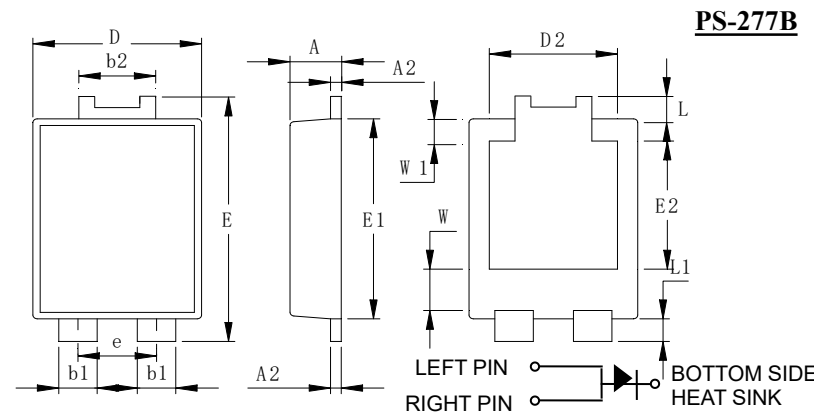
**10.0AMPS. LOW VF SCHOTTKY BARRIER RECTIFIERS**

**FEATURE**

- . For surface mounted application
- . High current capability
- . Low forward voltage drop
- . Low power loss, high efficiency
- . High surge current capability
- . High temperature soldering guaranteed:  
260°C/10 seconds at terminals.

**MECHANICAL DATA**

- . Terminal: Solder plated
- . Case: Molded with UL-94 Class V-0 recognized  
Flame Retardant Epoxy



**PS-277B**

NO	Dimensions	NO	Dimensions
A	1.20±0.1	e	1.84Typ
A2	0.25±0.05	E1	5.3±0.1
b1	0.9±0.1	E2	3.3±0.2
b2	1.8±0.1	L	0.6±0.1
D	3.95±0.1	L1	0.6±0.1
D2	3.00Typ	W	1.3±0.2
E	6.5±0.1	W1	0.6±0.2

**All Dimensions in mm**

**MAXIMUM RATINGS AND ELECTRICAL CHARACTERISTICS**

Ratings at 25°C ambient temperature unless otherwise specified.

Single phase, half wave, 60Hz, resistive or inductive load. For capacitive load, derate current by 20%

Type Number	SYM BOL	PS1045L	units
Maximum Recurrent Peak Reverse Voltage	$V_{RRM}$	45	V
Maximum RMS Voltage	$V_{RMS}$	31.5	V
Maximum DC blocking Voltage	$V_{DC}$	45	V
Average Forward Rectified Output Current	$I_{F(AV)}$	10.0	A
Peak Forward Surge Current 8.3ms single half sine-wave superimposed on rated load (JEDEC method)	$I_{FSM}$	200.0	A
Maximum Instantaneous Forward Voltage at 2.0A DC	$V_F$	@ $T_j = 25^\circ C$	0.35
		@ $T_j = 100^\circ C$	0.27
Maximum Instantaneous Forward Voltage at 10.0A DC		@ $T_j = 25^\circ C$	0.45
		@ $T_j = 100^\circ C$	0.42
Maximum DC Reverse Current at rated DC blocking voltage	$I_R$	@ $T_j = 25^\circ C$	0.2
		@ $T_j = 100^\circ C$	20.0
Typical Junction Capacitance (Note1)	$C_J$	1200	pF
Typical Thermal Resistance (Note2)	$R_{(JA)}$	50	°C/W
Storage Temperature	$T_{STG}$	-55 to +150	°C
Operating Junction Temperature	$T_J$	-55 to +150	°C

**Note:**

1. Measured at 1.0 MHz and applied reverse voltage of 4.0Vdc
2. Polyimide PCB, 2oz. Copper. Cathode pad dimensions 18.8mm x 14.4mm. Anode pad dimensions 5.6mm x 14.4mm.

**RATING AND CHARACTERISTIC CURVES**

FIG.1-TYPICAL FORWARD CURRENT DERATING CURVE

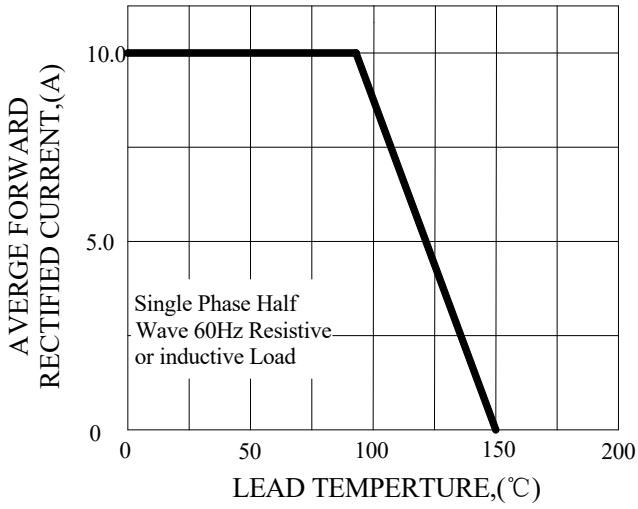


FIG.2-TYPICAL INSTANTANEOUS FORWARD CHARACTERISTICS

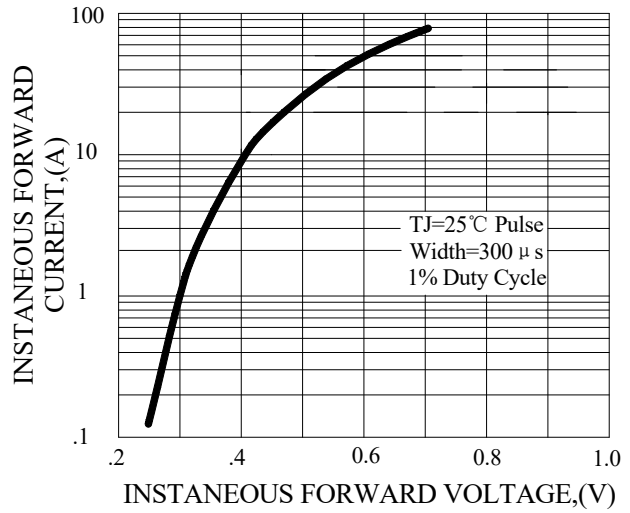


FIG.3-MAXIMUM NON-REPETITIVE FORWARD SURGE CURRENT

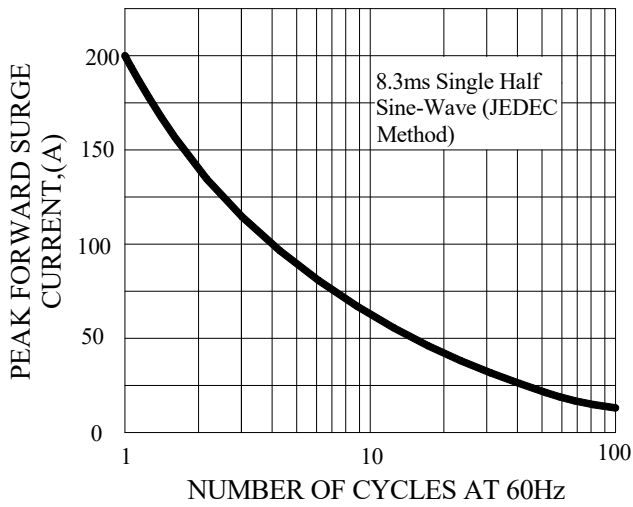
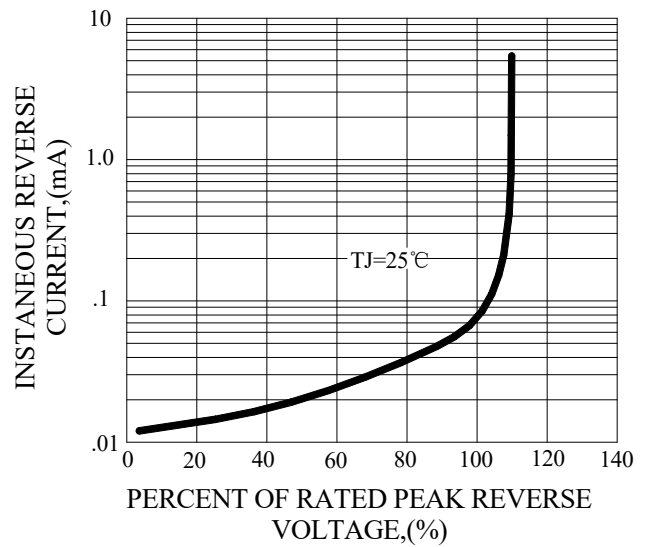
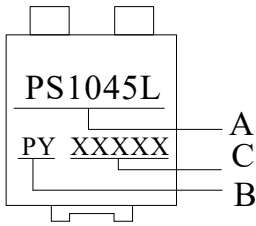


FIG.4-TYPICAL REVERSE CHARACTERISTICS



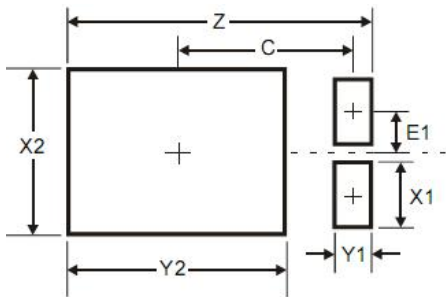
## Marking、 Pad Layout 、 MOQ and Packaging illustration

### 1、 Marking



SYMBOL	Explanation
<b>A</b>	<b>Product Name</b>
<b>B</b>	<b>Trademark</b>
<b>C</b>	<b>Date Code</b>

### 2、 Suggested Pad Layout

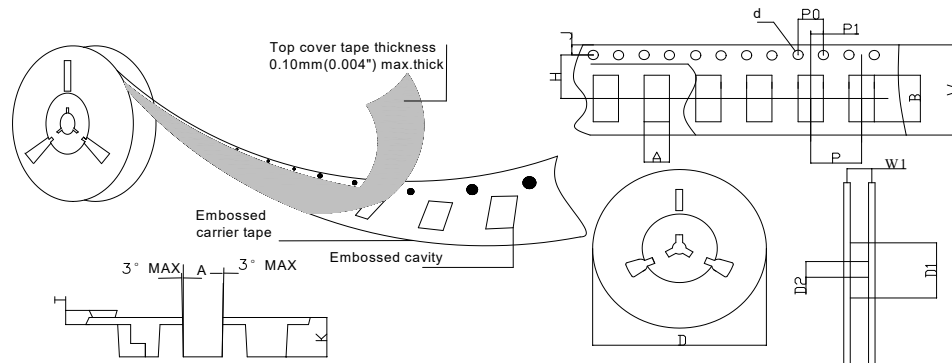


Dimensions	Value (in mm)
<b>Z</b>	<b>6.6</b>
<b>X1</b>	<b>1.4</b>
<b>X2</b>	<b>3.6</b>
<b>Y1</b>	<b>0.8</b>
<b>Y2</b>	<b>4.7</b>
<b>C</b>	<b>3.87</b>
<b>E1</b>	<b>0.9</b>

### 3、 MOQ

**3000pcs / Tape & Reel**

### 4、 Packaging



SPECIFICATIONS mm(inch)		PACKAGE	SPECIFICATIONS mm(inch)		PACKAGE
ITEM	SYM BOL	PS-277B	ITEM	SYM BOL	PS-277B
Carrier width	A	4.45(0.175)Max	Carrier depth	K	1.60(0.063)Typ
Carrier length	B	7.0(0.276)Max	Punch hole pitch	P	8.00(0.315)Typ
Sprocket hole	d	ø1.55(0.061)Typ	Sprocket hole pitch	P0	4.00(0.157)Typ
Reel outer diameter	D	330.0(13.0)Typ	Embossment center	P1	2.00(0.079)Typ
Reel inner diameter	D1	74.0(2.913)Min	Overall tape thickness	T	0.25(0.010)Typ
Feed hole diameter	D2	13.0(0.512)Typ	Tape width	W	16.0(0.630)Typ
Sprocket hole position	J	1.75(0.069)Typ	Reel width	W1	16.5(0.650)Min
Punch hole position	H	7.50(0.295)Typ			