

RB521SM5-30

Schottky Diode

FEATURE

- Low current rectification
- Low forward voltage
- SOD523 Micro SMD package
- RoHS compliant
- UL-94 V-0 / Green EMC
- Matte Tin Lead finish (Pb-Free)
- Cathode Band / Device marking:

MARKING: **C**

SOD-523



Schematic diagram



ABSOLUTE MAXIMUM RATINGS (T_a=25°C unless otherwise noted)

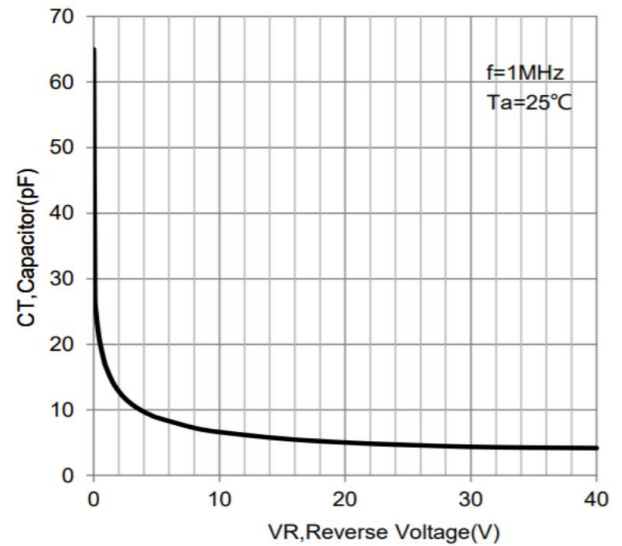
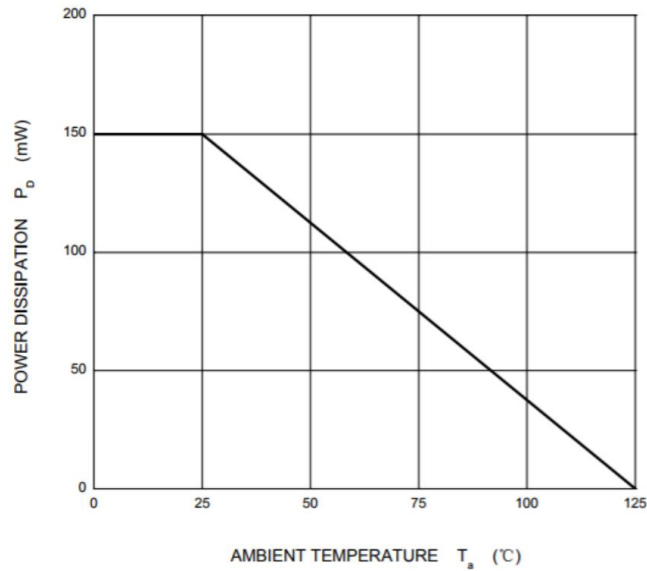
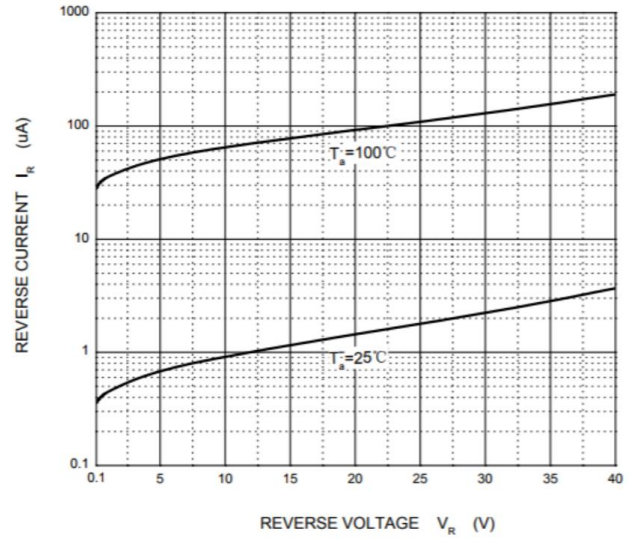
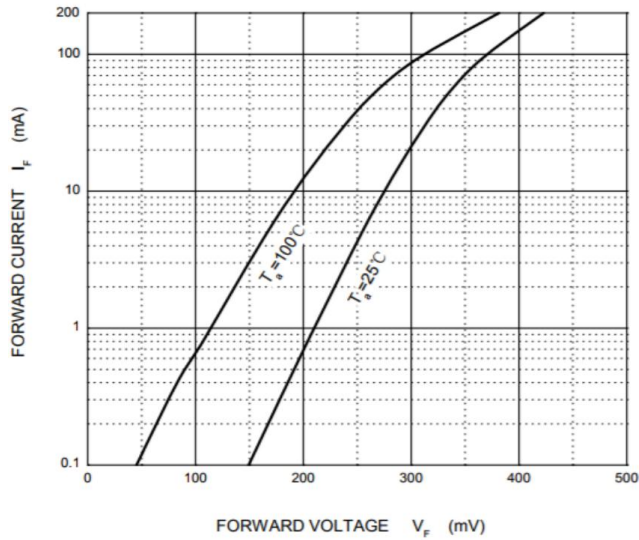
Parameter	Symbol	Value	Unit
Repetitive Peak Reverse Voltage	V _{RRM}	30	V
Working Peak Reverse Voltage	V _{RWM}	30	V
Continuous Forward Current	I _O	200	mA
Non-Repetitive Peak Forward Current *1	I _{FSM}	1	A
Junction Temperature	T _J	125	°C
Storage Temperature	T _{STG}	-55 to +125	°C

*1 8.3 ms single half sine-wave

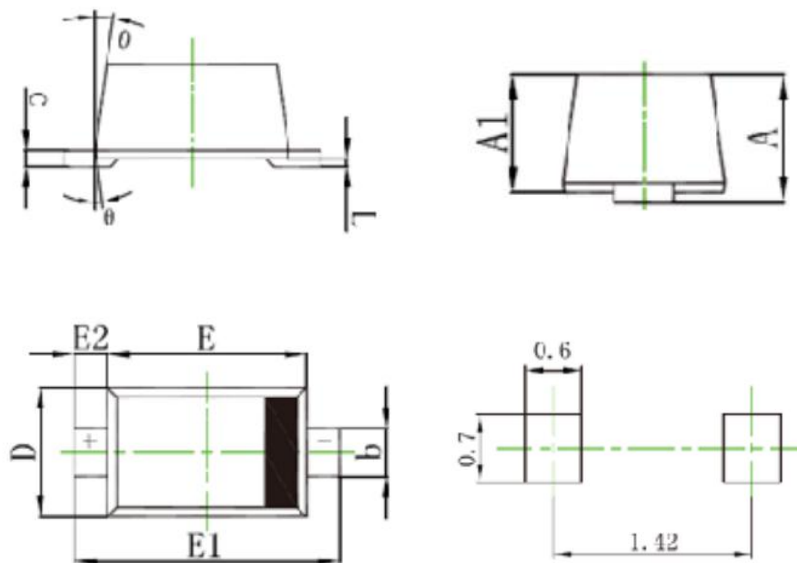
ELECTRICAL CHARACTERISTICS(T_a=25°C unless otherwise noted)

Parameter	Symbol	Test Condition	Min	Type	Max	Unit
Forward Voltage	V _F	I _F = 10mA			0.35	V
		I _F = 200mA			0.50	V
Breakdown Voltage	BV _R	I _R = 500μA	30			V
Reverse Current	I _R	V _R = 10V			30	μA
		V _R = 20V			100	μA

Typical Characteristics



SOD-523F Package Information



Symbol	Dimensions In Millimeters		
	Min	Typ	Max
A	0.51	-	0.77
A1	0.50	-	0.70
b	0.25	-	0.35
c	0.08	-	0.15
D	0.75	-	0.85
E	1.10	-	1.30
E1	1.50	-	1.70
E2	0.20REF.		
L	0.01	-	0.07
θ	7° REF.		

1. Unit mm